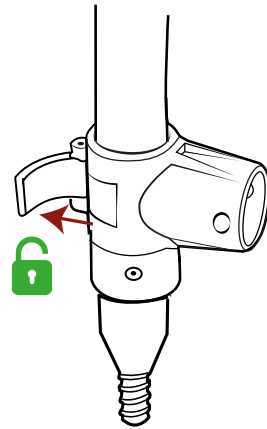


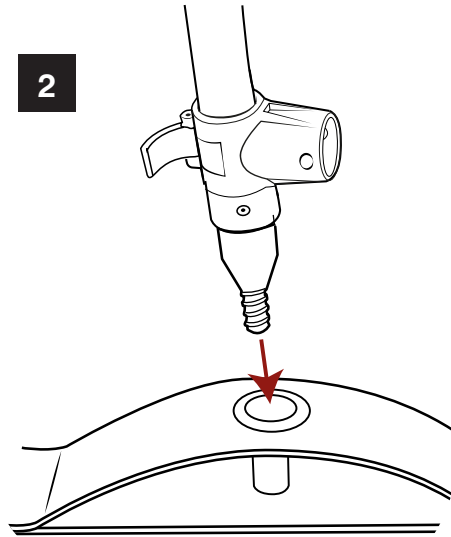
Step and Repeat Backdrop Assembly Guide



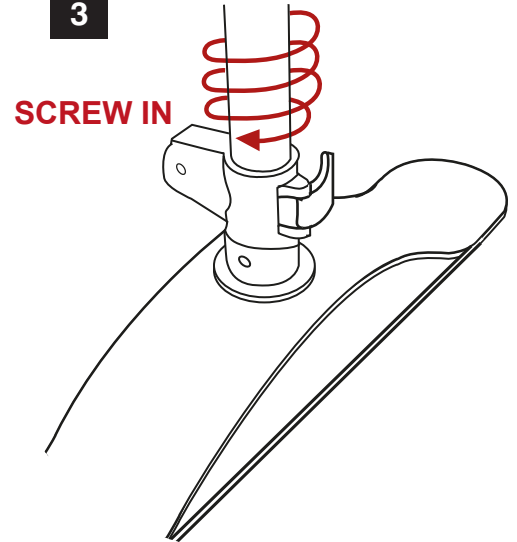
1



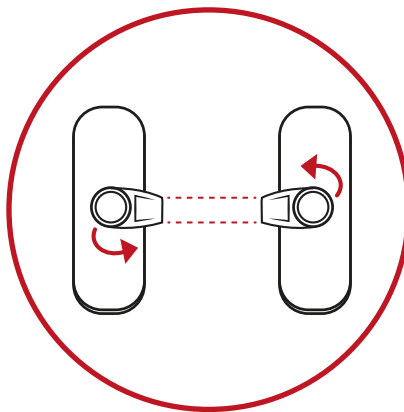
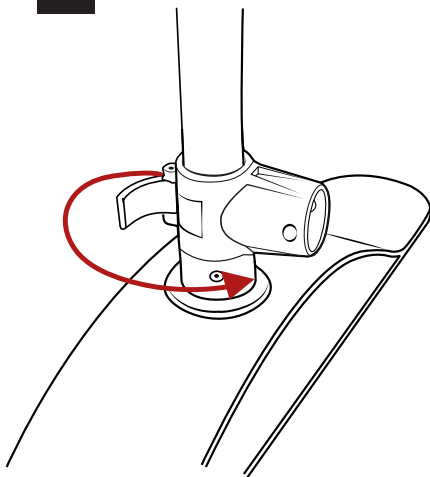
2



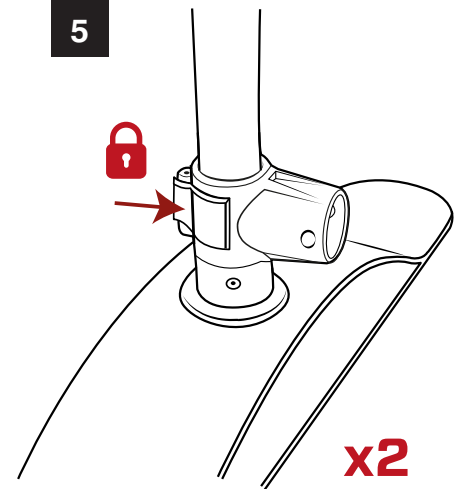
3



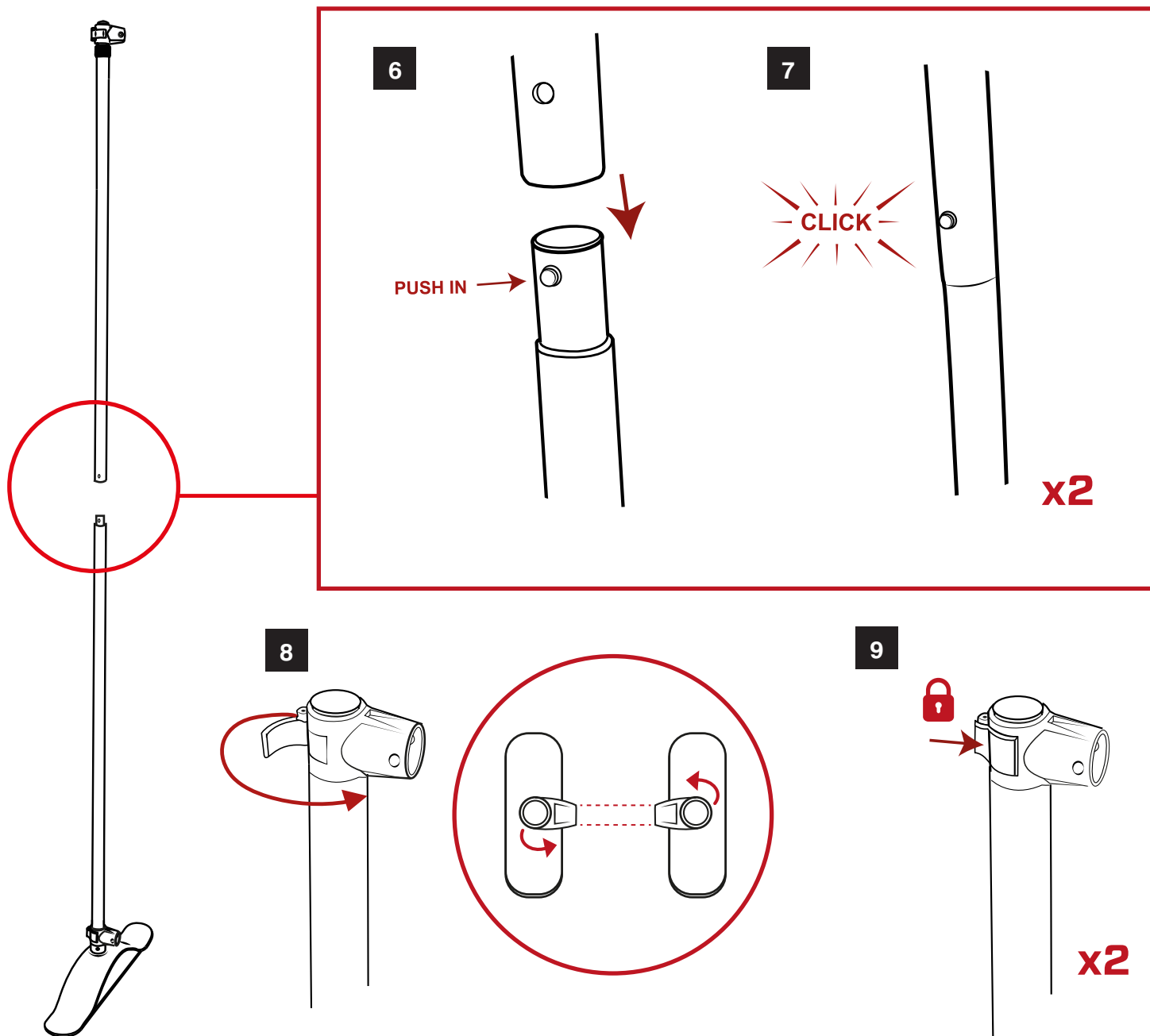
4



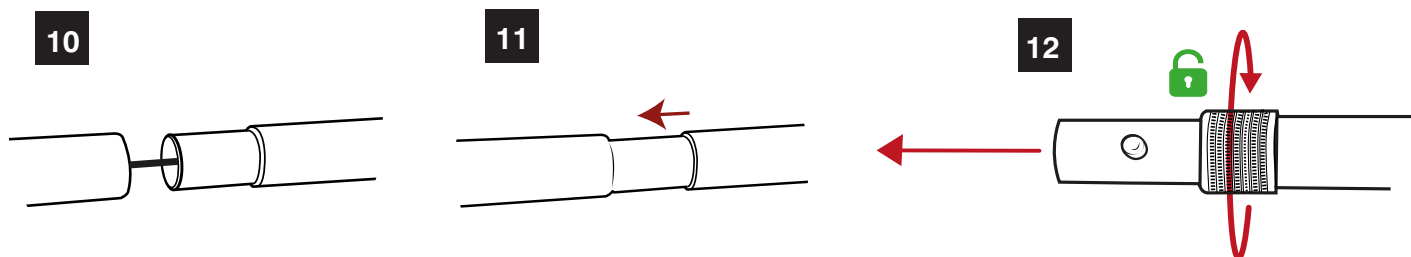
5

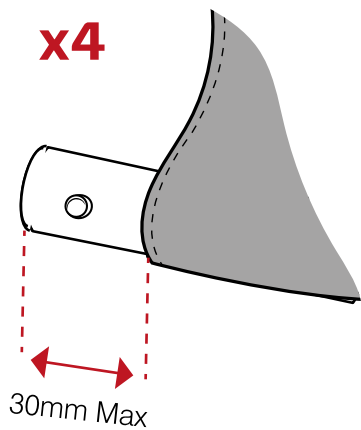
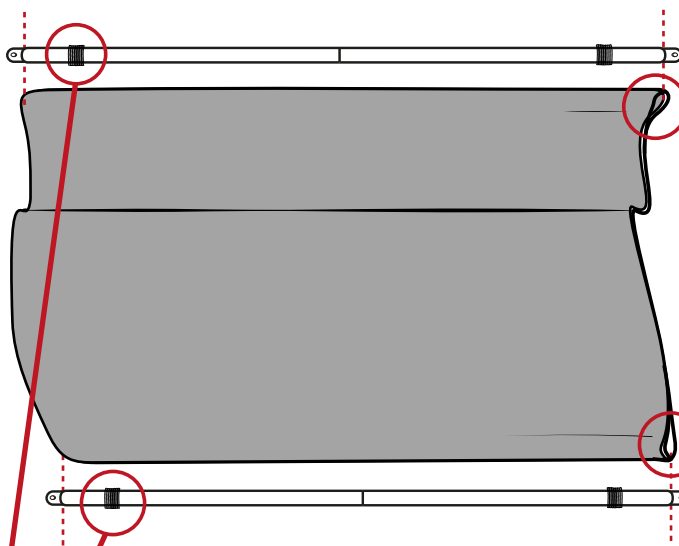
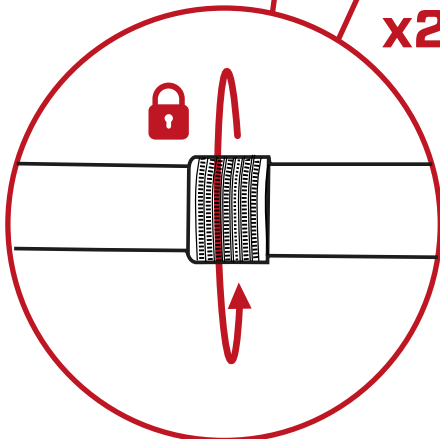
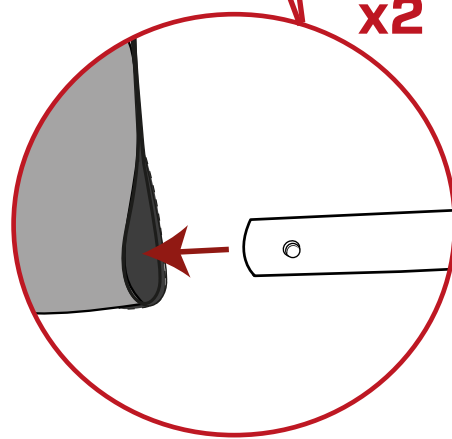
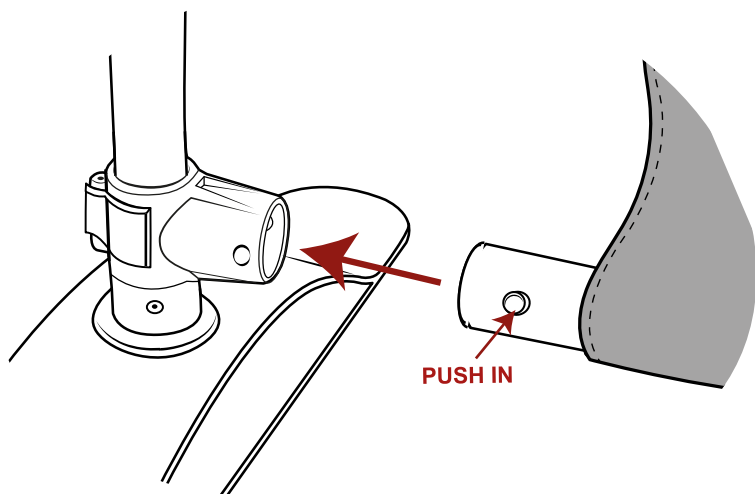
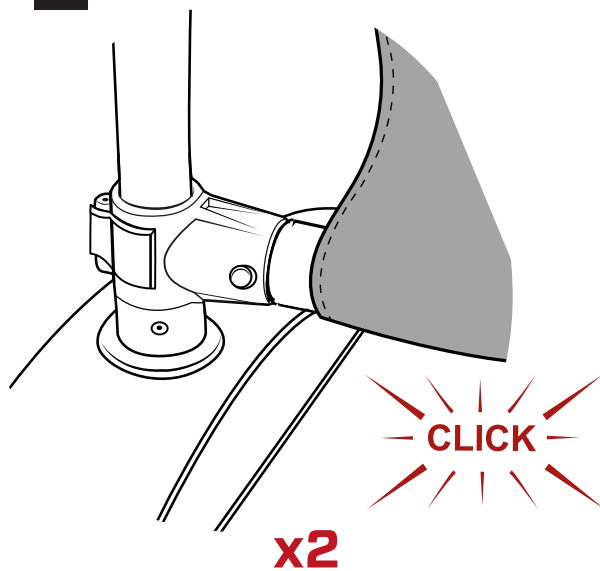


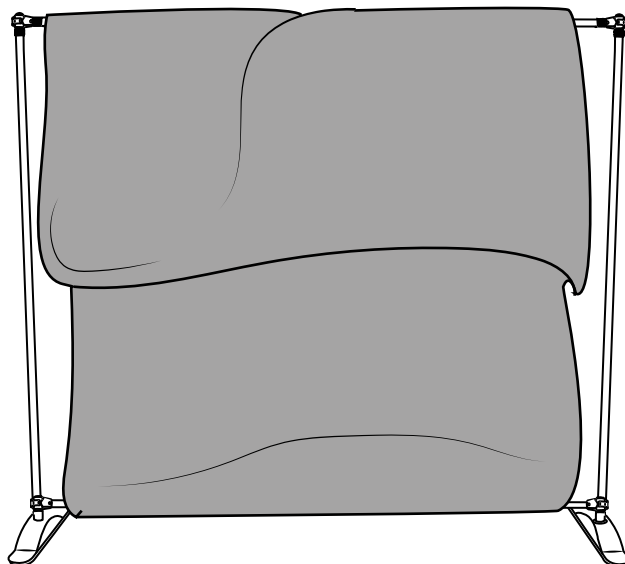
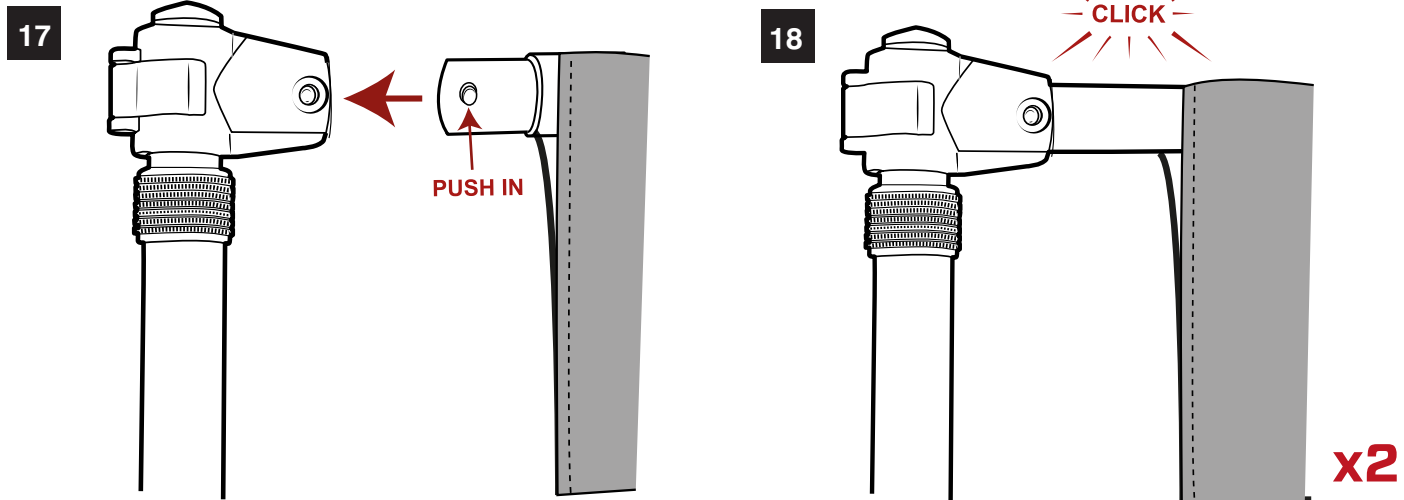
ASSEMBLING VERTICAL POLES



ASSEMBLING HORIZONTAL POLES



IMPORTANT**x4****INSERTING INTO GRAPHIC****x2****13****x2****14****15****16**



ADJUSTING THE FRAME

